

PEDIATRIC STANDING FRAMES:

Product Catalog &
Comparison Guide



Legend

FTH - Floor to Head

FTA - Floor to Axilla

*. - Custom Feature

** - Additional Cost

Comparison Guide Pediatric Upright Standing Frames

	Leckey Freestander Size 1 (Sunrise)	Leckey Freestander Size 2 (Sunrise)	Leckey Freestander Size 3 (Sunrise)	Leckey Totstander	R82 Meerkat Size 1	R82 Meerkat Size 2	R82 Meerkat Size 3
Max Weight (lbs)	132	176	198	48	45	143	198
Height Range (in)	31.5-45.3 (FTH)	43.3-57 (FTH)	55.1-72.8 (FTH)	28 (FTH)	27-41 (FTH)	37-53 (FTH)	46-70 (FTH)
Product Weight (lbs)				19	33	34	
Base Footprint (in)				18x18	21x26	31x34	31x34

**PRODUCT
INFORMATION**

**PEDIATRIC STANDING
FRAMES**



Leckey Freestander



The Leckey Freestander: an adjustable standing system for children and teens, available in three sizes. It offers comfortable support and promotes good posture with features like adjustable belts and customizable supports for legs, hips, and trunk. Easy to set up and use daily with wipeable fabric, it comes with handy accessories like a tray table and grab-rails for added functionality at home or school. Its sturdy frame provides essential support across different places, with a low-profile footplate for smooth transitions.

SIZE 1

AADL Catalog Number: K247-1
AADL Max. Contribution: \$3,340
Typical Config. Price: \$3,199
Upgrade: -

SIZE 2

AADL Catalog Number: K247-2
AADL Max. Contribution: \$3,590
Typical Config. Price: \$3,455
Upgrade: -

SIZE 3

AADL Catalog Number: K247-3
AADL Max. Contribution: \$4,035
Typical Config. Price: \$3,898
Upgrade: -

<https://www.leckey.com/products/freestander>

Leckey Mygo Stander



A versatile therapy solution for children with different positioning needs. It offers upright, prone, and supine standing options in one system, supporting bone and muscle development while meeting individual needs.

Effortlessly switch between positions with the crank system, adjusting knee and foot supports. It grows with the child and provides many health benefits, including pressure relief, improved reach, and enhanced motor skills. There's plenty of room for arm movement, making activities easy during use.

SIZE 1

AADL Catalog Number: K233-1
AADL Max. Contribution: \$5,950
Typical Config. Price: \$7,160
Upgrade: \$1,210

SIZE 2

AADL Catalog Number: K233-2
AADL Max. Contribution: \$5,980
Typical Config. Price: \$7,202
Upgrade: \$1,222

<https://www.sunrisemedical.ca/seating-positioning/leckey/pediatric-standers/mygo>



Leckey Squiggles Plus

Prone, upright, and supine standing in one product.

Standing is crucial for children's development. Maintaining an upright posture allows gravity to support the function of internal systems. When children stand, their weight is borne through their bones and joints, shaping them and enhancing their strength.

There is evidence to suggest that standing promotes healthy hip joint formation. It helps stretch tight muscles and offers an alternative position for the body.

Additionally, standing fosters social interaction as children can engage with their peers at the same level.

SQUIGGLES PLUS

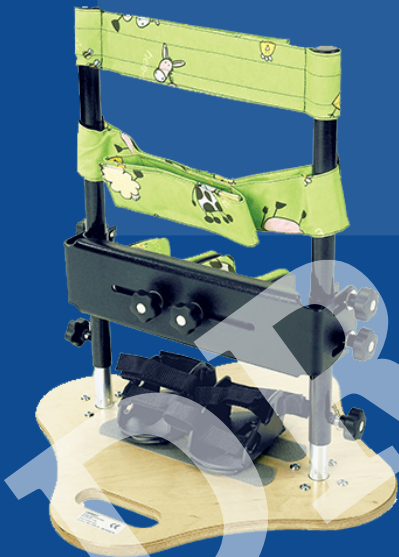
AADL Catalog Number: K245-A

AADL Max. Contribution: \$6,565

Typical Config. Price: \$6,091

Upgrade: -

<https://www.sunrisemedical.ca/seating-positioning/leckey/pediatric-standers/squiggles-plus>



Leckey Totstander

The Totstander encourages active standing, movement, and weight shifting and serves as both a stander and an evaluation tool for therapists assessing a child's standing ability. It is available in one size and comes in the Leckey Meadow fabric.

AADL Catalog Number: K246

AADL Max. Contribution: \$1,590

Typical Config. Price: \$1,590

Upgrade: -

<https://www.leckey.com/products/totstander>

Superstand HLT



The Superstand is a versatile stander that seamlessly transitions between Prone, Supine, and Upright positions without requiring additional parts. Changing positions is effortless, from switching the headrest to the chin support to simply reversing the tray. It grows up to an impressive 22 inches in height without needing extra parts, and its positioning options adjust swiftly without the need for tools. Experience the Superstand and witness its adaptability as your child develops.

SIZE EI

AADL Catalog Number: K248-EI
AADL Max. Contribution: \$5,175
Typical Config. Price: \$6,364
Upgrade: \$1,189

SIZE 1

AADL Catalog Number: K248-1
AADL Max. Contribution: \$5,175
Typical Config. Price: \$6,364
Upgrade: \$1,189

SIZE 2

AADL Catalog Number: K248-2
AADL Max. Contribution: \$6,045
Typical Config. Price: \$7,315
Upgrade: \$1,270

https://primeengineering.com/product_document/list_details/superstand

R82 Caribou

The R82 Caribou stands out as an excellent choice for children with disabilities, boasting a tilt function and a wide range of accessories. Available in four sizes, it caters to children from approximately 850 mm to 1840 mm in height, with a maximum user weight of 100 kg. Whether in prone or supine positions, the Caribou supports building strength, improving posture, and engaging in activities with peers. Its adaptable design ensures it grows with your child, making it a versatile and practical standing frame for pediatric use.

SIZE 1

AADL Catalog Number: K232-1
AADL Max. Contribution: \$6,000
Typical Config. Price:
Upgrade: -

SIZE 2

AADL Catalog Number: K232-2
AADL Max. Contribution: \$6,000
Typical Config. Price:
Upgrade: -

SIZE 3

AADL Catalog Number: K232-3
AADL Max. Contribution: \$7,000
Typical Config. Price:
Upgrade: -

SIZE 4

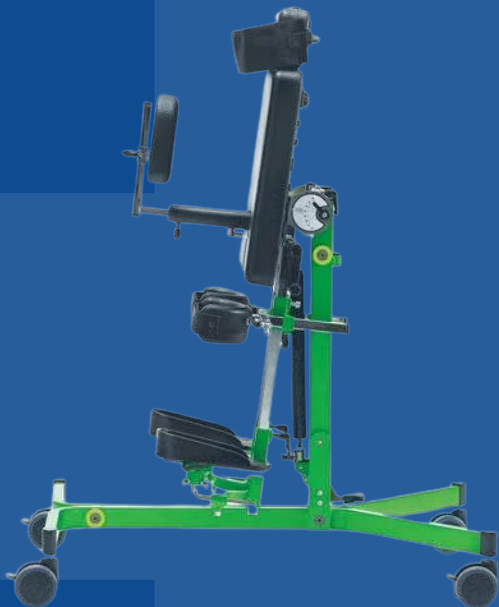
AADL Catalog Number: K232-4
AADL Max. Contribution: \$7,000
Typical Config. Price:
Upgrade: -

<https://www.etac.com/products/paediatrics/standing/r82-caribou/>



R82 Gazelle

The R82 Gazelle PS is an advanced standing frame designed to meet diverse needs. Supporting prone, upright, or supine positions, it offers tailored flexibility. Notably, it provides up to 30 degrees of hip abduction in each leg, potentially aiding hip development in children with cerebral palsy. Available in three sizes and accommodating heights from 700 mm to 1650 mm, with a maximum user weight of 80 kg, it ensures durability and reliability during daily use. In summary, the Gazelle PS is a comprehensive solution, promoting adaptability, potential hip health benefits, and user well-being through thoughtful design.



SIZE 1

AADL Catalog Number: K231-1
AADL Max. Contribution: \$5,995
Typical Config. Price:
Upgrade: -

SIZE 2

AADL Catalog Number: K231-2
AADL Max. Contribution: \$6,065
Typical Config. Price:
Upgrade: -

SIZE 3

AADL Catalog Number: K232-2
AADL Max. Contribution: \$6,190
Typical Config. Price:
Upgrade: -

<https://www.etac.com/products/paediatrics/standing/r82-gazelle-ps/>

R82 Meerkat

The R82 Meerkat is a versatile standing aid designed with a center column that can be positioned in front of or behind the child, providing ample space for exploration. Its modular design allows for quick adjustments to meet individual user needs, with easily attachable and detachable accessories for flexibility. The Meerkat facilitates learning through movement, with the option of mounting a rocker under the base plate. Available in three sizes to accommodate children from approximately 700 mm to 1800 mm in height, and with a maximum user weight of 90 kg, it's suitable for a range of users. In summary, the Meerkat is a valuable addition to therapy or home environments, offering versatility, flexibility, and support for children with diverse needs.



SIZE 1

AADL Catalog Number: K230-1
AADL Max. Contribution: \$3,380
Typical Config. Price:
Upgrade: -

SIZE 2

AADL Catalog Number: K230-2
AADL Max. Contribution: \$3,590
Typical Config. Price:
Upgrade: -

SIZE 3

AADL Catalog Number: K230-3
AADL Max. Contribution: \$3,700
Typical Config. Price:
Upgrade: -

<https://www.etac.com/products/paediatrics/standing/r82-meerkat/>



Vertiflex

The Vertiflex line of multi and single position standers is meticulously crafted to cater to a broad spectrum of children and address positioning challenges that few other products can match. Each standing frame can be customized with a variety of accessories to meet the specific needs of the user. The functional design of the Vertiflex line enables highly precise adjustments, guaranteeing optimal comfort and usability. For example, our Vertiflex Model A provides an impressive 60 degrees of independent bilateral abduction, ensuring comprehensive support and flexibility.

SIZE 1

AADL Catalog Number: K249-1
AADL Max. Contribution: \$5,865
Typical Config. Price: \$5,902
Upgrade: \$37

SIZE 3

AADL Catalog Number: K249-3
AADL Max. Contribution: \$5,865
Typical Config. Price: \$5,902
Upgrade: \$37

SIZE 2

AADL Catalog Number: K249-2
AADL Max. Contribution: \$5,865
Typical Config. Price: \$5,902
Upgrade: \$37

SIZE 4

AADL Catalog Number: K249-EP
AADL Max. Contribution: \$6,940
Typical Config. Price: \$7,052
Upgrade: \$112

<https://synetikergocare.com/ergo-products/vertiflex-a/?view=product>

Zing MPS TT

The Zing MPS TT (tilt-table style stander) and Zing MPS offer the convenience of transitioning from supine to prone positions in a single motion. They both provide up to 30 degrees of independent leg abduction and offer an optional swing-away tray. The MPS TT, designed in a tilt-table style, features a broader upper body support pad compared to the MPS. Additionally, it offers the option for padded strapping instead of individual support and positioning components. However, users of the MPS TT can incorporate specific support and positioning components available for the MPS if additional support in certain areas is required.

SIZE 1

AADL Catalog Number: K244-1
AADL Max. Contribution: \$5,780
Typical Config. Price: \$-
Upgrade: \$-

SIZE 2

AADL Catalog Number: K244-2
AADL Max. Contribution: \$6,465
Typical Config. Price: \$-
Upgrade: \$-

<https://zingstanders.com/product/pa5520tt-zing-mps-tt-size-1/>



Our Sales Team



Jeff Burns - Pediatric Specialist

General Sales: 20 Years

Medical Equipment Consulting: 8 Years

NRRTS Certified, AADL Level C Seating, Ride Designs Custom Seating Certified

Email: jeffb@congdon.ca



Josh Garska - Mobility Specialist

General Sales: 22 Years

Medical Equipment Consulting: 6 Years

NRRTS Certified, AADL Level B Seating

Email: joshg@congdon.ca



Jerry Dubuc - Mobility Specialist

General Sales: 25 Years

Medical Equipment Consulting: 5 Months

Recreational Therapist for Long term care: 6 Years

Level A & B Seating in the works

Email: jerryd@congdon.ca

Congdon's Aids to Daily Living Ltd.

10550 Mayfield Road NW
Edmonton, AB
T5P 4X4
PH: 780-483-1762
Fax: 780-489-6813

